

Conical Mount

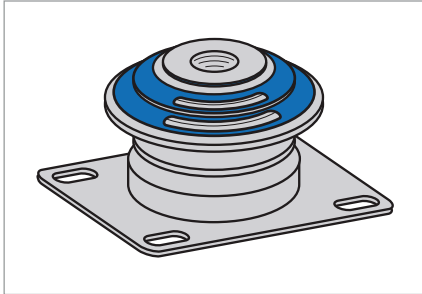


Fig. 1 Conical Mount

Product description

Conical mounts damp vertical vibrations, isolate against structure-borne noise and can simultaneously accept large horizontal forces (e.g. deceleration forces under braking). Conical mounts are delivered without washers as standard. The suitable washers and stops can be found in the section on Washers and Centering Washers as well as in Rubberised Stop Washers.

Product advantages

- Long service life
- Optimum settling
- Auto-centring under axial load
- RoHS-compliant.

Application

Conical mounts are ideal, resilient connecting elements for mounting engines, driven machinery and superstructures for both stationary operation and in vehicles and ships.

Material

Standard material	Hardness
Natural rubber NR 11, NR 39	35, 40, 45, 50, 55, 60, 65, 70, 76, 80 Shore A
Acrylonitrile-butadiene rubber NBR 68	55, 65, 70 Shore A
Ethylene-acrylate rubber AEM 33	55, 60 Shore A

Operating conditions

Axial forces	500 N ... 30000 N	Maximum permissible force
Max. temperature	up to 60 °C, transient up to +80 °C	
Min. temperature	up to -45 °C	

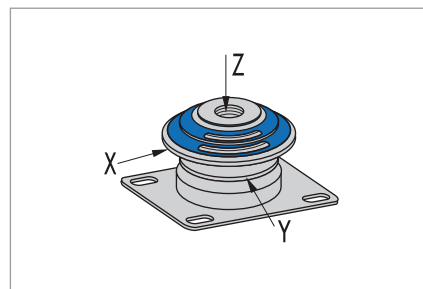


Fig. 2 Primary load directions

Properly positioned conical mounts for mounting engines lightly cushions the torque which reduces the vibrations introduced into the anchorages and thus contributes to a better running smoothness. The weight should primarily be absorbed in the longitudinal axis (+Z). The range of conical mounts offers a large number of different designs for the optimal solution of all conceivable application/installation cases. Tear-off or separation protection is also thus possible.

Design notes

The mount configuration is manufactured from an inner and outer metal part. The outer metal part has a multi-hole flange and the inner metal part has a through-hole with or without a thread or a tapped blind hole. Both tapered metal parts are connected in tapered parallel orientation by an elastomer insert.

Fitting & installation

- The conical mounts are designed to be secured by means of threaded fasteners
- Individual components permit slight adjustment to allow for in-situ offset
- It is important to ensure that the mating faces of the frame and the mass carried by the mount are flat and smooth
- Ensure that the underside of the flange is in full-surface contact with the mating face of the frame anchorage
- Position the mount relative to the static load in such a way that the inner metal part and the flange are preloaded relative to each other
- Avoid tensile loads or use the stop and centering washers to limit these loads (see the section on stop washers).

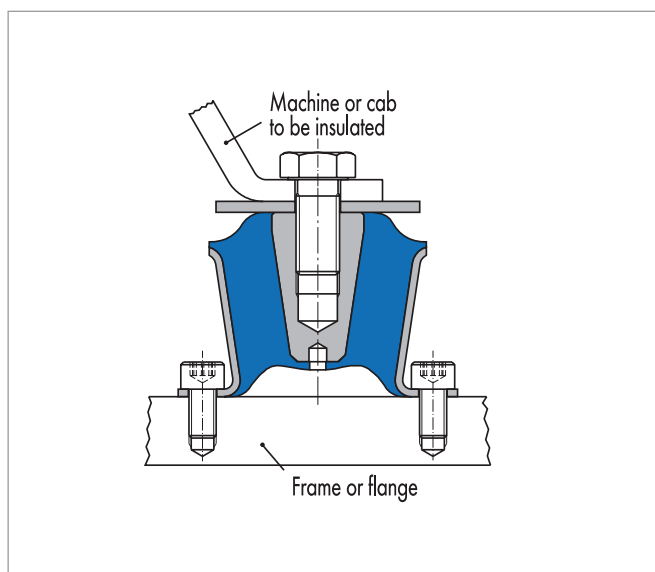


Fig. 3 Secured by threaded fasteners in base

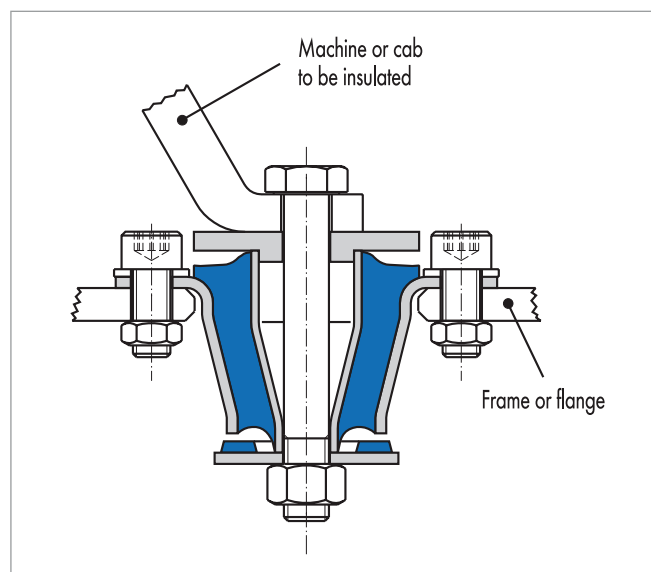


Fig. 4 Secured by threaded fasteners in flange

Article list

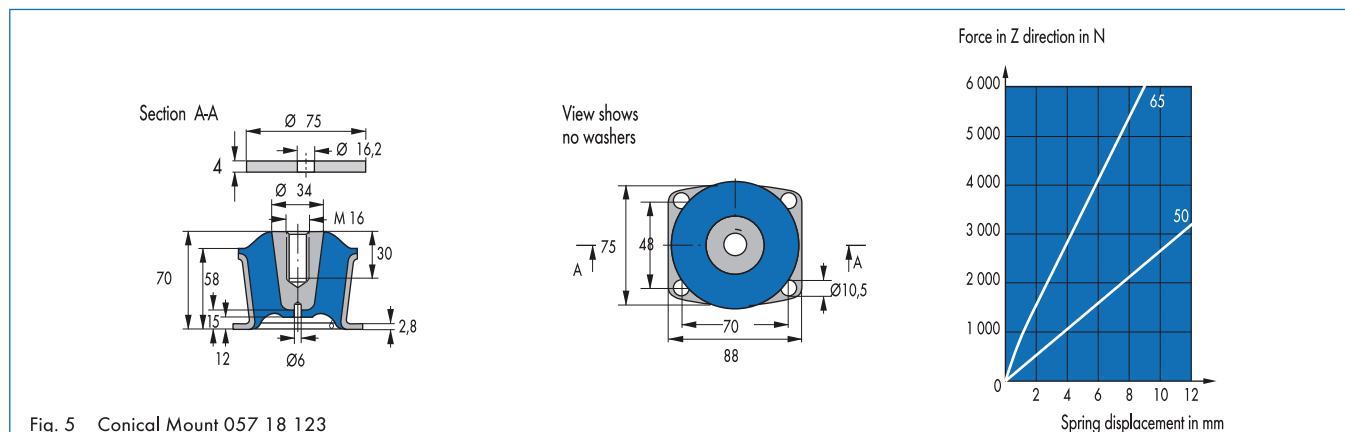


Fig. 5 Conical Mount 057 18 123

Nominal maxima		Stiffness	Nominal maxima		Stiffness	Nominal maxima		Stiffness	Window	Product No.	Material	Article No.	
Axial			Radial			Radial							
F _z max	s _z max	c _z	F _x max	s _x max	c _x	F _y max	s _y max	c _y					
[N]	[mm]	[N/mm]	[N]	[mm]	[N/mm]	[N]	[mm]	[N/mm]					
3000	11	270	855	1,5	570	855	1,5	570	without	5718 123	50 NR 11	93270	●
6000	9	610	1920	1,5	1280	1920	1,5	1280	without	5718 123	65 NR 11	91790	●

● Available from stock ○ On request: Tool is available, delivery at short notice

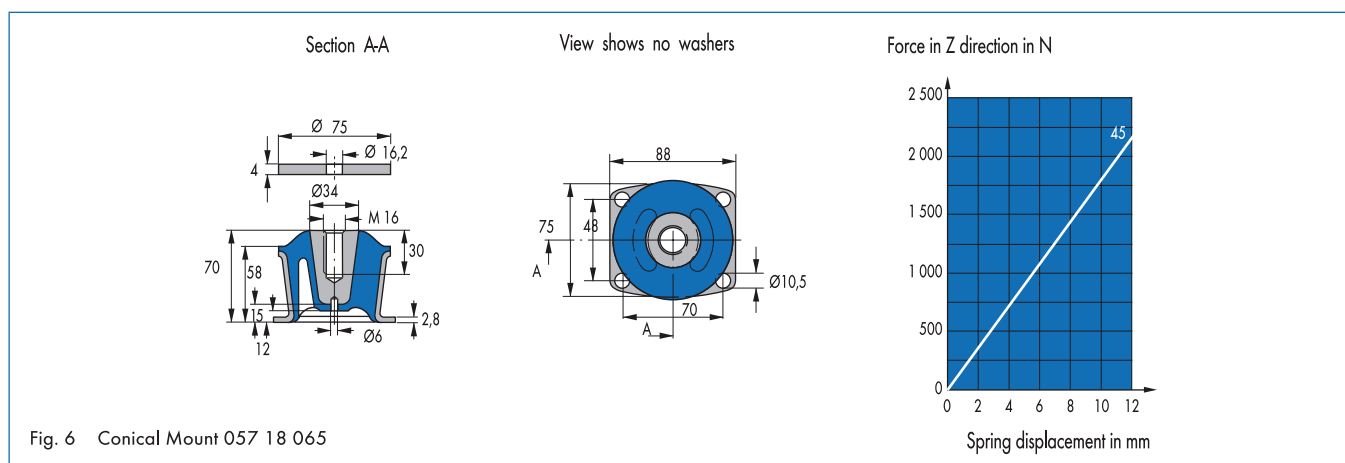


Fig. 6 Conical Mount 057 18 065

Nominal maxima		Stiffness	Nominal maxima		Stiffness	Nominal maxima		Stiffness	Window	Product No.	Material	Article No.	
Axial			Radial			Radial							
F _z max	s _z max	c _z	F _x max	s _x max	c _x	F _y max	s _y max	c _y					
[N]	[mm]	[N/mm]	[N]	[mm]	[N/mm]	[N]	[mm]	[N/mm]					
2000	11	180	3000	1,5	2000	390	1,5	260	with	5718 065	45 NR 11	90822	●
5800	11	500	8700	1,5	5800	1050	1,5	700	with	5718 065	70 NR 11	92448	●

● Available from stock ○ On request: Tool is available, delivery at short notice

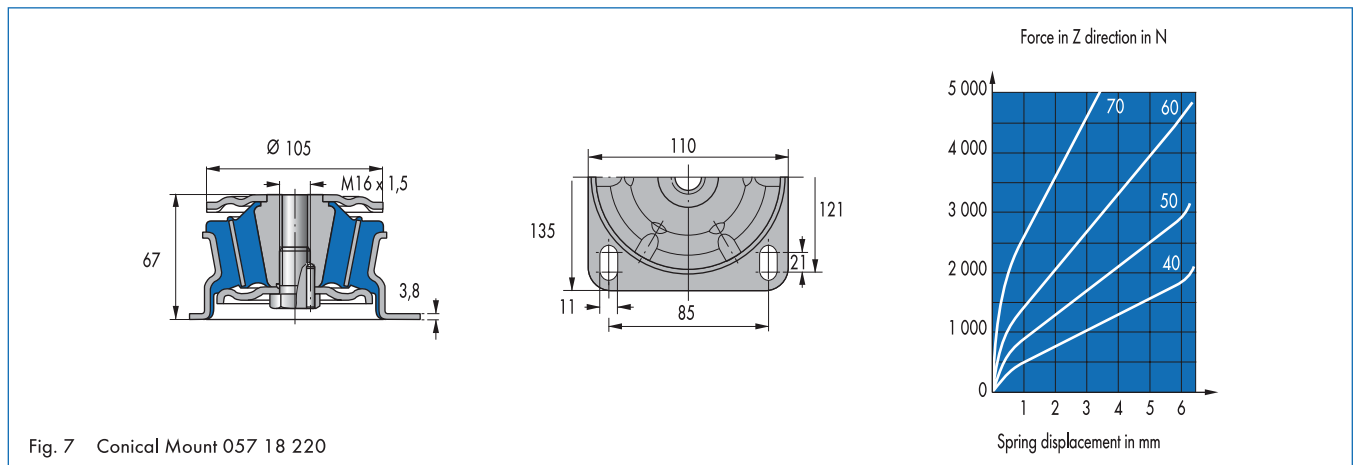


Fig. 7 Conical Mount 057 18 220

Nominal maxima		Stiffness	Nominal maxima		Stiffness	Nominal maxima		Stiffness	Window	Product No.	Material	Article No.	
Axial			Radial			Radial							
F _z max	s _z max	c _z	F _x max	s _x max	c _x	F _y max	s _y max	c _y					
[N]	[mm]	[N/mm]	[N]	[mm]	[N/mm]	[N]	[mm]	[N/mm]					
1400	4,5	260	1500	2	750	1500	2	750	without	5718 220	40 NR 11	91067	●
2100	4,0	390	2200	2	1100	2200	2	1100	without	5718 220	50 NR 11	91374	●
3000	3,5	610	3400	2	1700	3400	2	1700	without	5718 220	60 NR 11	93876	●
4200	2,7	1000	5200	2	2600	5200	2	2600	without	5718 220	70 NR 11	91230	●
6300	2,7	1500	7800	2	3900	7800	2	3900	without	5718 220	80 NR 11	49018753	○

● Available from stock ○ On request: Tool is available, delivery at short notice

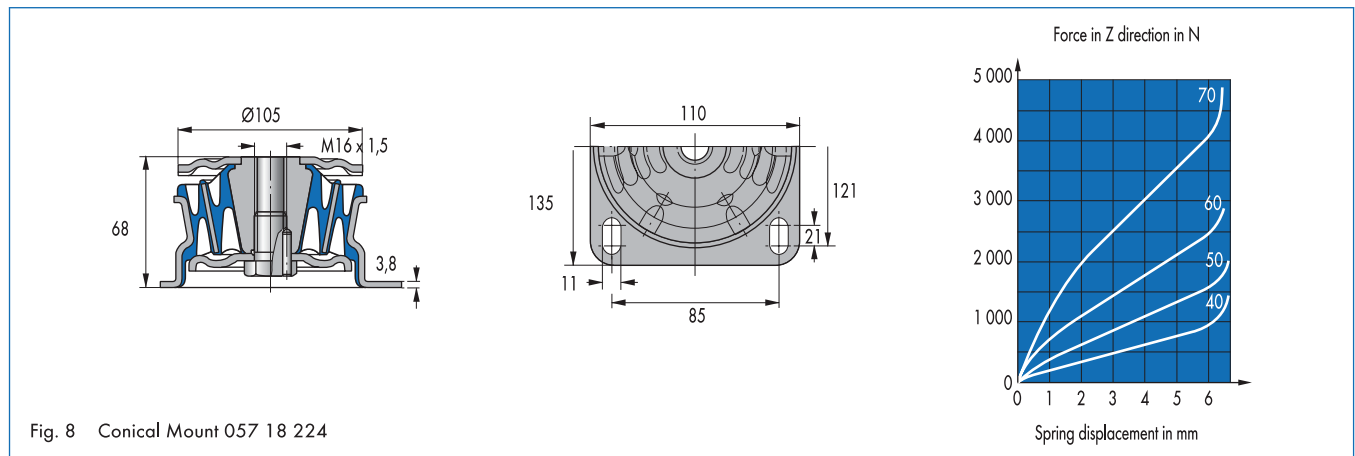


Fig. 8 Conical Mount 057 18 224

Nominal maxima		Stiffness	Nominal maxima		Stiffness	Nominal maxima		Stiffness	Window	Product No.	Material	Article No.	
Axial			Radial			Radial							
F _z max	s _z max	c _z	F _x max	s _x max	c _x	F _y max	s _y max	c _y					
[N]	[mm]	[N/mm]	[N]	[mm]	[N/mm]	[N]	[mm]	[N/mm]					
700	4,5	140	1200	2	600	600	2	300	with	5718 224	40 NR 11	91376	●
1100	4,0	220	1800	2	900	900	2	450	with	5718 224	50 NR 11	91076	●
1600	3,5	330	2800	2	1400	1400	2	700	with	5718 224	60 NR 11	91491	●
2400	2,7	500	4400	2	2200	2200	2	1100	with	5718 224	70 NR 11	91381	●

● Available from stock ○ On request: Tool is available, delivery at short notice

Article list

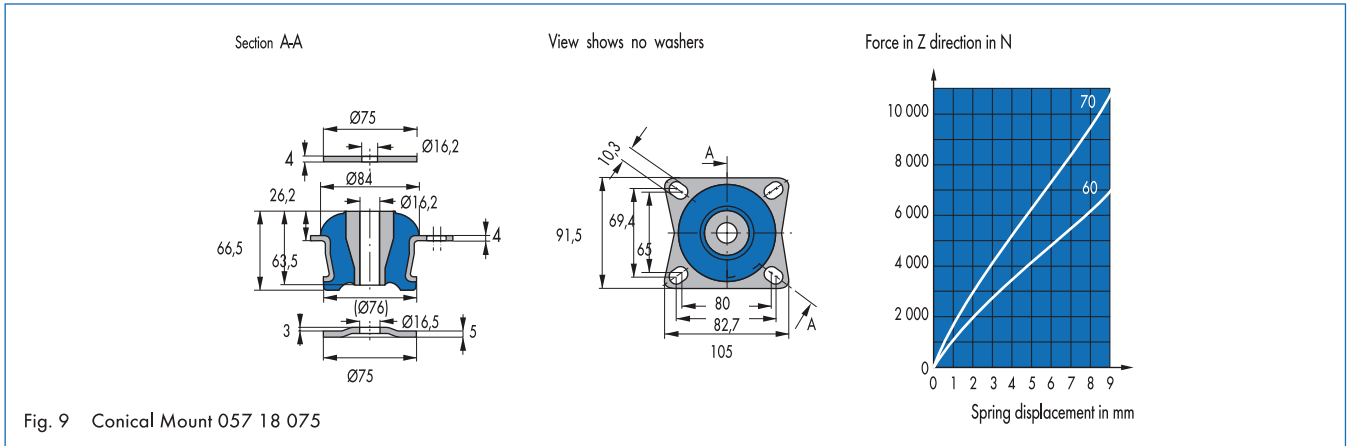


Fig. 9 Conical Mount 057 18 075

Nominal maxima		Stiffness	Nominal maxima		Stiffness	Nominal maxima		Stiffness	Window	Product No.	Material	Article No.	
Axial			Radial			Radial							
F _z max	s _z max	c _z	F _x max	s _x max	c _x	F _y max	s _y max	c _y					
[N]	[mm]	[N/mm]	[N]	[mm]	[N/mm]	[N]	[mm]	[N/mm]					
3400	8	400	1200	1,5	800	1200	1,5	800	without	5718 075	45 NR 11	93385	●
6200	8	670	2100	1,5	1400	2100	1,5	1400	without	5718 075	60 NR 11	91829	●
9500	8	1070	3360	1,5	2240	3360	1,5	2240	without	5718 075	70 NR 11	90863	●
18400	8	2100	6450	1,5	4300	6450	1,5	4300	without	5718 075	76 NR 39	510004	●

● Available from stock ○ On request: Tool is available, delivery at short notice

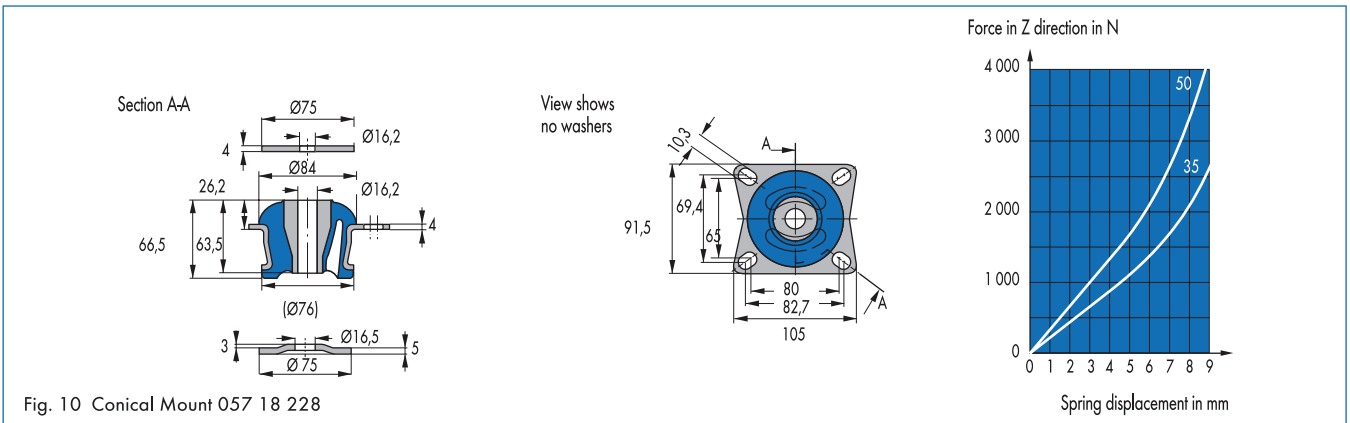


Fig. 10 Conical Mount 057 18 228

Nominal maxima		Stiffness	Nominal maxima		Stiffness	Nominal maxima		Stiffness	Window	Product No.	Material	Article No.	
Axial			Radial			Radial							
F _z max	s _z max	c _z	F _x max	s _x max	c _x	F _y max	s _y max	c _y					
[N]	[mm]	[N/mm]	[N]	[mm]	[N/mm]	[N]	[mm]	[N/mm]					
2100	8	210	660	1,5	440	270	1,5	180	with	5718 228	35 NR 11	93641	●
3300	8	340	1335	1,5	890	540	1,5	360	with	5718 228	50 NR 11	93642	●
6100	8	600	2400	1,5	1600	1050	1,6	700	with	5718 228	65 NR 11	91405	●

● Available from stock ○ On request: Tool is available, delivery at short notice

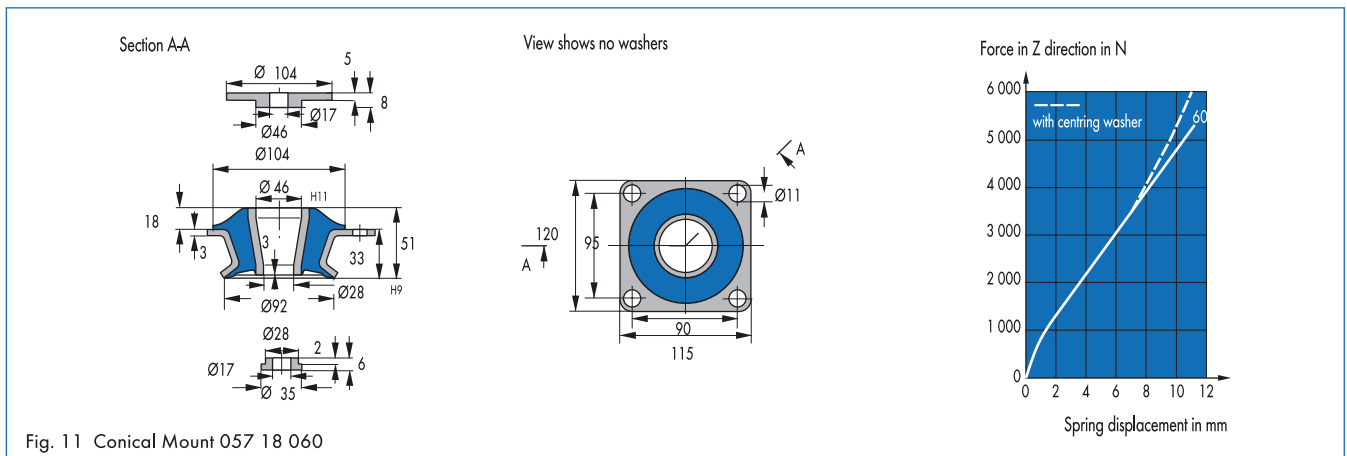


Fig. 11 Conical Mount 057 18 060

Nominal maxima		Stiffness	Nominal maxima		Stiffness	Nominal maxima		Stiffness	Window	Product No.	Material	Article No.	
Axial			Radial			Radial							
F _z max	s _z max	c _z	F _x max	s _x max	c _x	F _y max	s _y max	c _y					
[N]	[mm]	[N/mm]	[N]	[mm]	[N/mm]	[N]	[mm]	[N/mm]					
2200	10,5	200	3600	4	900	4000	4	1000	without	5718 060	40 NR 11	93900	●
3400	10,5	300	5200	4	1300	6000	4	1500	without	5718 060	50 NR 11	91479	●
4200	10,5	400	6800	4	1700	7200	4	1800	without	5718 060	55 NBR 38	509731	●
5000	10,5	430	8000	4	2000	8800	4	2200	without	5718 060	60 NR 11	90465	●
6000	10,5	500	9600	4	2400	10400	4	2600	without	5718 060	65 NBR 68	479685	●
7500	10,5	600	12000	4	3000	13200	4	3300	without	5718 060	70 NR 11	476214	●

● Available from stock ○ On request: Tool is available, delivery at short notice

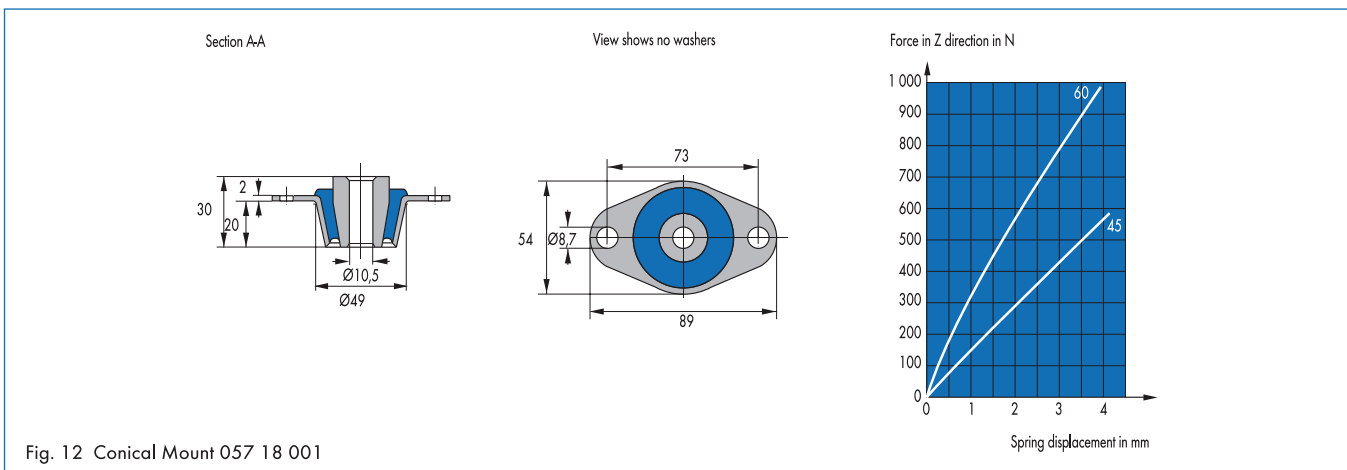


Fig. 12 Conical Mount 057 18 001

Nominal maxima		Stiffness	Nominal maxima		Stiffness	Nominal maxima		Stiffness	Window	Product No.	Material	Article No.	
Axial			Radial			Radial							
F _z max	s _z max	c _z	F _x max	s _x max	c _x	F _y max	s _y max	c _y					
[N]	[mm]	[N/mm]	[N]	[mm]	[N/mm]	[N]	[mm]	[N/mm]					
550	3,5	160	1000	1	1000	1000	1	1000	without	5718 001	45 NR 11	90905	●
900	3,5	260	1800	1	1800	1800	1	1800	without	5718 001	60 NR 11	90810	●
900	3,5	260	1800	1	1800	1800	1	1800	without	5718 001	60 AEM 33	49018563	●
1100	3,5	310	2200	1	2200	2200	1	2200	without	5718 001	70 NR 11	91056	●

● Available from stock ○ On request: Tool is available, delivery at short notice

Article list

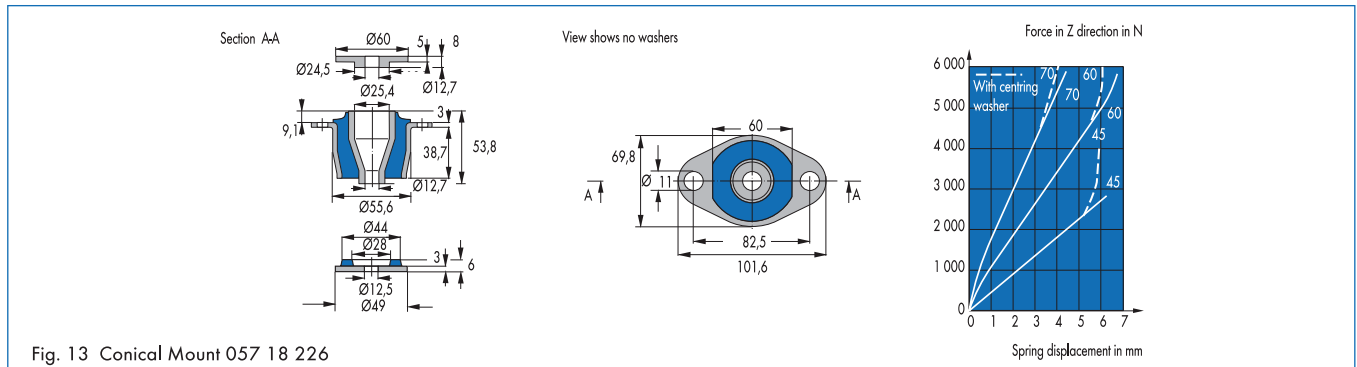


Fig. 13 Conical Mount 057 18 226

Nominal maxima		Stiffness	Nominal maxima		Stiffness	Nominal maxima		Stiffness	Window	Product No.	Material	Article No.	
Axial			Radial			Radial							
F_z max	s_z max	c_z	F_x max	s_x max	c_x	F_y max	s_y max	c_y					
[N]	[mm]	[N/mm]	[N]	[mm]	[N/mm]	[N]	[mm]	[N/mm]					
2000	5	400	1000	1	1000	1000	1	1000	without	5718 226	45 NR 39	2129296	●
2300	5	460	1150	1	1150	1150	1	1150	without	5718 226	45 NR 11	93947	●
3400	5	700	1700	1	1700	1700	1	1700	without	5718 226	55 NBR 68	49019621	●
4200	5	720	1970	1	1970	1970	1	1970	without	5718 226	60 NR 11	93948	●
5200	4	1190	2970	1	2970	2970	1	2970	without	5718 226	70 NR 11	93949	●

● Available from stock ○ On request: Tool is available, delivery at short notice

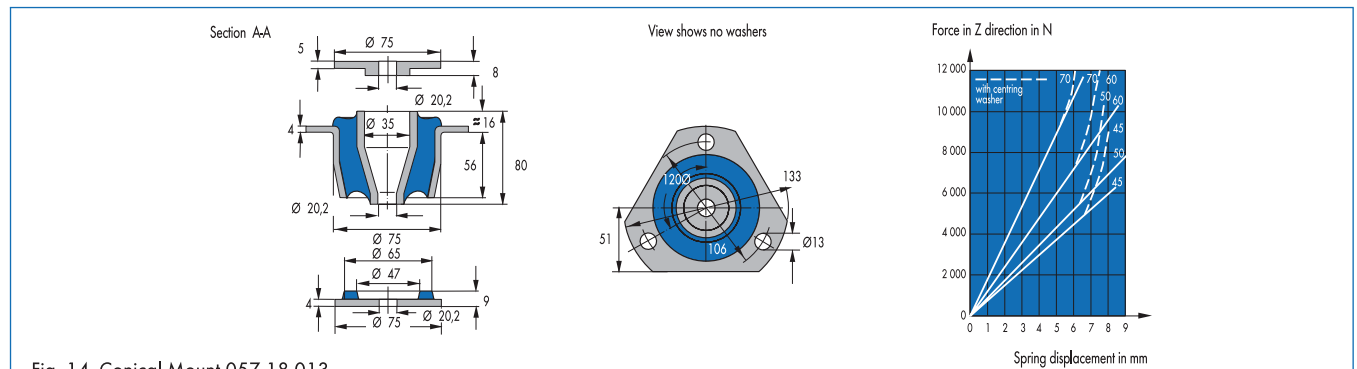


Fig. 14 Conical Mount 057 18 013

Nominal maxima		Stiffness	Nominal maxima		Stiffness	Nominal maxima		Stiffness	Window	Product No.	Material	Article No.	
Axial			Radial			Radial							
F_z max	s_z max	c_z	F_x max	s_x max	c_x	F_y max	s_y max	c_y					
[N]	[mm]	[N/mm]	[N]	[mm]	[N/mm]	[N]	[mm]	[N/mm]					
3300	5,5	600	7400	2,5	2960	7400	2,5	2960	without	5718 013	45 NR 11	90697	●
3800	5,5	690	8500	2,5	3400	8500	2,5	3400	without	5718 013	45 NR 39	49029143	●
6500	5,5	1180	9800	2,5	3900	9800	2,5	3920	without	5718 013	50 NR 11	91201	●
7200	5,5	1310	11600	2,5	4600	11600	2,5	4600	without	5718 013	60 NR 39	49029144	●
8500	5,5	1550	13800	2,5	5500	13800	2,5	5500	without	5718 013	60 NR 11	90877	●
9600	5,5	1750	14500	2,5	5800	14500	2,5	5800	without	5718 013	55 AEM 23	500857	●
10000	5,5	1820	12500	2,5	5000	12500	2,5	5000	without	5718 013	70 NR 11	90849	●
10000	5,5	1820	12500	2,5	5000	12500	2,5	5000	without	5718 013	70 NBR 68	511079	●
10100	5,5	1800	16400	2,5	6500	16400	2,5	6500	without	5718 013	65 NBR 68	2129417	●
11100	5,5	2000	13800	2,5	5500	13800	2,5	5500	without	5718 013	76 NR 39	480534	●

● Available from stock ○ On request: Tool is available, delivery at short notice

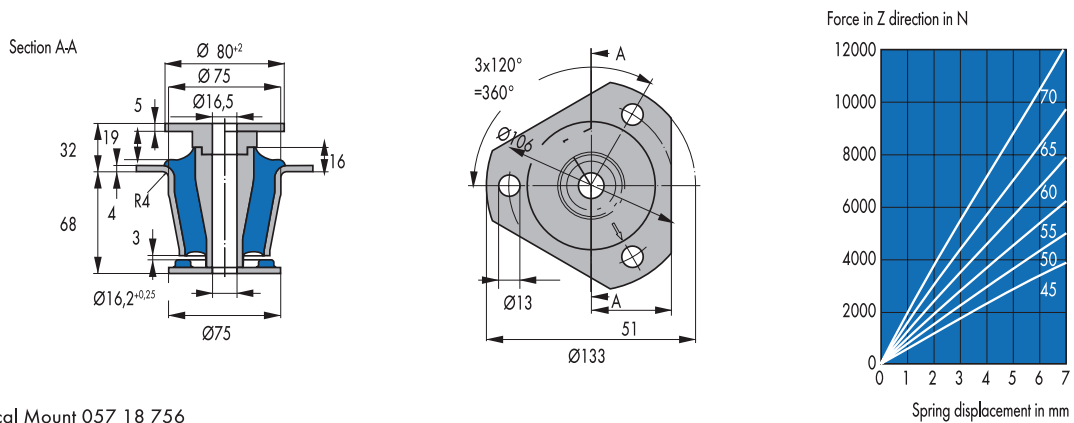


Fig. 15 Conical Mount 057 18 756

Nominal maxima		Stiffness	Nominal maxima		Stiffness	Nominal maxima		Stiffness	Window	Product No.	Material	Article No.	
Axial			Radial			Radial							
F _z max	S _z max	c _z	F _x max	S _x max	c _x	F _y max	S _y max	c _y					
[N]	[mm]	[N/mm]	[N]	[mm]	[N/mm]	[N]	[mm]	[N/mm]					
4800	8	600	6300	3	2100	3300	3	2100	without	5718 756	45 NR 11	511906	○
6400	8	800	9900	3	2850	5250	3	2850	without	5718 756	50 NR 11	2129305	○
8000	8	1000	14400	3	3500	7500	3	3500	without	5718 756	55 NR 11	2129306	○
10000	8	1250	20700	3	4400	10800	3	4400	without	5718 756	60 NR 11	2129307	○
12400	8	1550	26100	3	5450	13650	3	5450	without	5718 756	65 NR 11	2129308	○
15600	8	1950	32400	3	6850	16950	3	6850	without	5718 756	70 NR 11	2129309	○

● Available from stock ○ On request: Tool is available, delivery at short notice

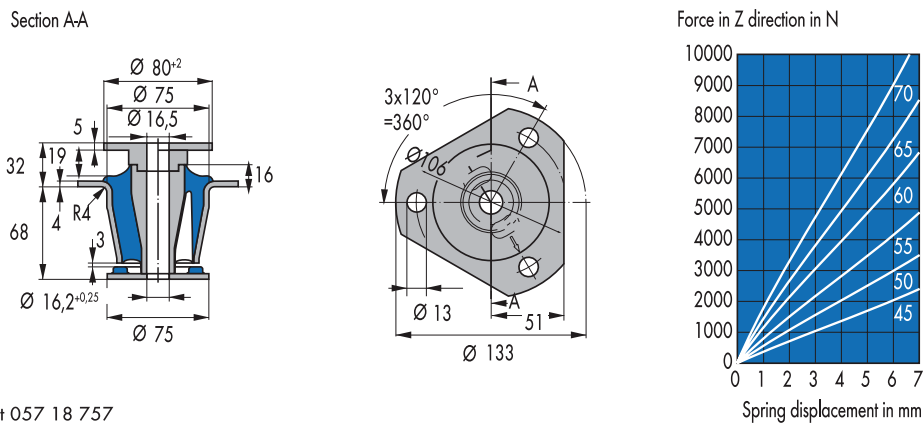


Fig. 16 Conical Mount 057 18 757

Nominal maxima		Stiffness	Nominal maxima		Stiffness	Nominal maxima		Stiffness	Window	Product No.	Material	Article No.	
Axial			Radial			Radial							
F _z max	S _z max	c _z	F _x max	S _x max	c _x	F _y max	S _y max	c _y					
[N]	[mm]	[N/mm]	[N]	[mm]	[N/mm]	[N]	[mm]	[N/mm]					
2800	8	350	1140	3	2100	1140	3	1100	with	5718 757	45 NR 11	511926	●
4400	8	550	1320	3	3300	1320	3	1750	with	5718 757	50 NR 11	2129310	○
6400	8	800	1740	3	4800	1740	3	2500	with	5718 757	55 NR 11	2129311	○
9200	8	1150	2280	3	6900	2280	3	3600	with	5718 757	60 NR 11	2129312	○
11600	8	1450	3150	3	8700	3150	3	4550	with	5718 757	65 NR 11	2129313	○
14400	8	1800	4080	3	10800	4080	3	5650	with	5718 757	70 NR 11	2129314	○

● Available from stock ○ On request: Tool is available, delivery at short notice

Article list

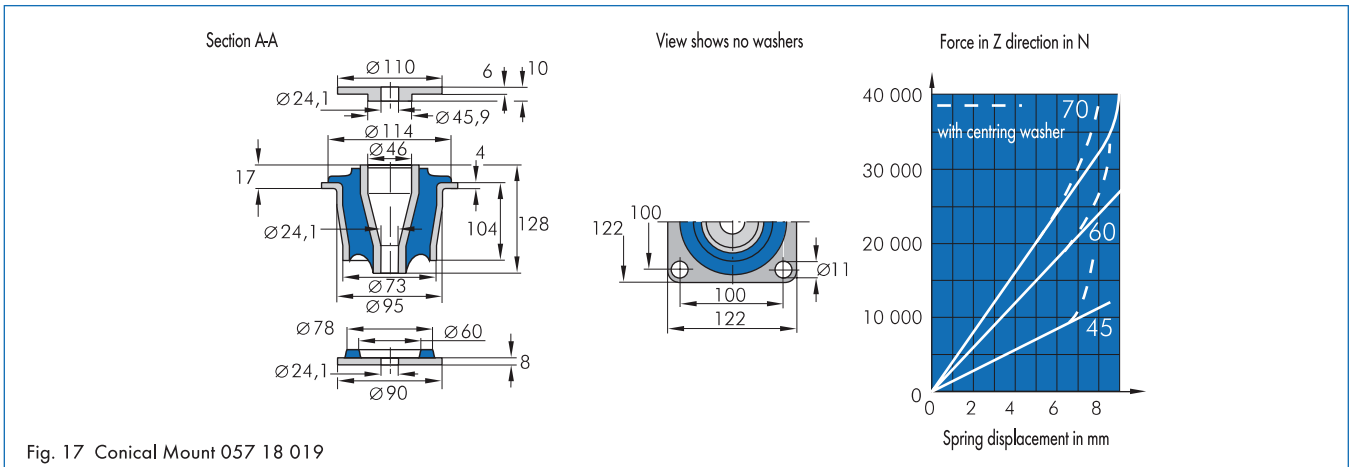


Fig. 17 Conical Mount 057 18 019

Nominal maxima			Stiffness			Nominal maxima			Stiffness			Window	Product No.	Material	Article No.	
Axial			Radial			Radial										
F_z max	s_z max	c_z	F_x max	s_x max	c_x	F_y max	s_y max	c_y								
[N]	[mm]	[N/mm]	[N]	[mm]	[N/mm]	[N]	[mm]	[N/mm]								
10000	7	1420	9600	1,5	6400	9600	1,5	6400	without	5718 019	45 NR 11	91430	●			
20000	7	2850	19200	1,5	12800	19200	1,5	12800	without	5718 019	60 NR 11	90491	●			
30000	7	4000	30000	1,5	20000	30000	1,5	20000	without	5718 019	70 NR 11	91009	●			

● Available from stock ○ On request: Tool is available, delivery at short notice

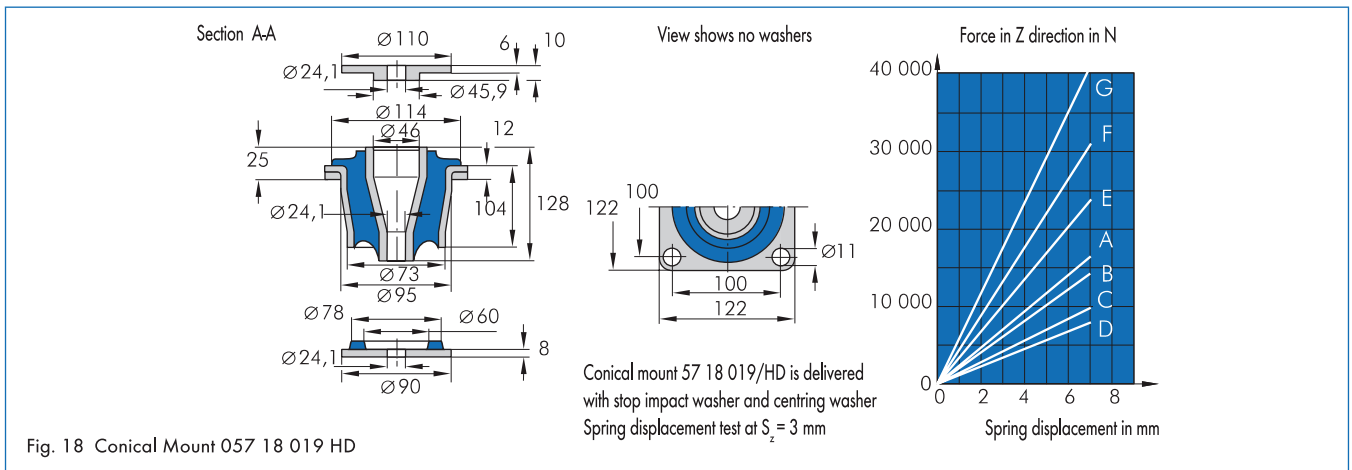


Fig. 18 Conical Mount 057 18 019 HD

Conical mount 57 18 019/HD is delivered with stop impact washer and centring washer
Spring displacement test at $s_z = 3$ mm

Nominal maxima			Stiffness			Nominal maxima			Stiffness			Window	Product No.	Material	Article No.	
Axial			Radial			Radial										
F_z max	s_z max	c_z	F_x max	s_x max	c_x	F_y max	s_y max	c_y								
[N]	[mm]	[N/mm]	[N]	[mm]	[N/mm]	[N]	[mm]	[N/mm]								
8900	7	1300	4300	1,5	6500	4300	1,5	6500	without	5718 019/111 HD	D NR 11	49032538	○			
10300	7	1500	5000	1,5	7500	5000	1,5	7500	without	5718 019/111 HD	C NR 11	49032537	○			
14500	7	2100	7000	1,5	10500	7000	1,5	10500	without	5718 019/111 HD	B NR 11	49032536	○			
15600	7	2300	7700	1,5	11500	7700	1,5	11500	without	5718 019/111 HD	A NR 11	49016407	○			
23400	7	3400	11300	1,5	17000	11300	1,5	17000	without	5718 019/111 HD	E NR 11	49032539	○			
30900	7	4200	14000	1,5	21000	14000	1,5	21000	without	5718 019/111 HD	F NR 11	49034619	○			
40800	7	5800	19300	1,5	29000	19300	1,5	29000	without	5718 019/111 HD	G NR 11	49034621	○			

● Available from stock ○ On request: Tool is available, delivery at short notice

Article list

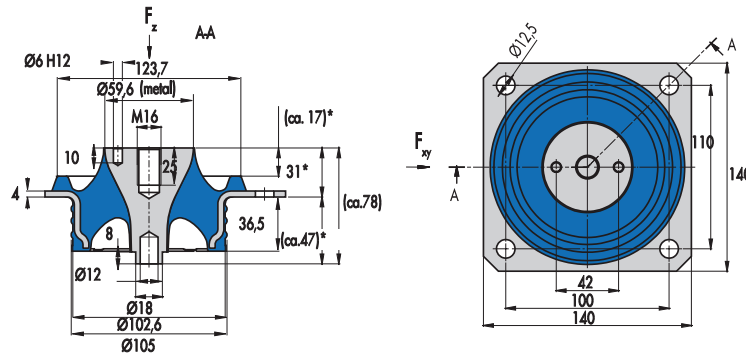


Fig. 21 Conical Mount 057 18 792

Nominal maxima		Stiffness	Nominal maxima		Stiffness	Nominal maxima		Stiffness	Window	Product No.	Material	Article No.	
Axial			Radial			Radial							
F _z max	s _z max	c _z	F _x max	s _x max	c _x	F _y max	s _y max	c _y					
[N]	[mm]	[N/mm]	[N]	[mm]	[N/mm]	[N]	[mm]	[N/mm]					
2600	10	260	1900	5	380	1900	5	380	without	5718 792	40 NR 11	49028584	○
3100	10	310	2200	5	440	2200	5	440	without	5718 792	45 NR 11	49028585	○
3900	10	380	2900	5	580	2900	5	580	without	5718 792	50 NR 11	49028586	○
4700	10	470	3800	5	760	3800	5	760	without	5718 792	55 NR 11	49028587	○
620l " WARMOT " Henryk Jastrzębski, ul Nowolipki 15, 00-151 Warszawa, tel 22-831-0101, e-mail: warmot@warmot.com.pl													○
8000	10	7400	6800	5	1360	6800	5	1360	without	5718 792	65 NR 11	49028589	○

● Available from stock ○ On request: Tool is available, delivery at short notice

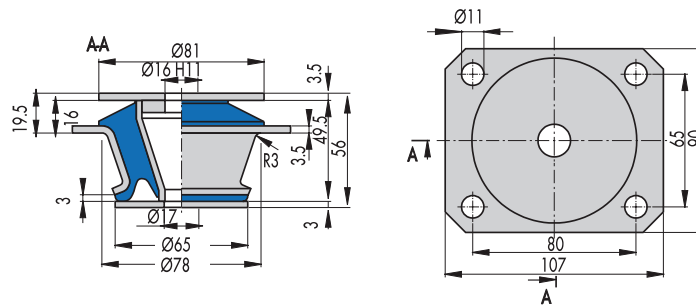


Fig. 22 Conical Mount 057 18 804

Nominal maxima		Stiffness	Nominal maxima		Stiffness	Nominal maxima		Stiffness	Window	Product No.	Material	Article No.	
Axial			Radial			Radial							
F _z max	s _z max	c _z	F _x max	s _x max	c _x	F _y max	s _y max	c _y					
[N]	[mm]	[N/mm]	[N]	[mm]	[N/mm]	[N]	[mm]	[N/mm]					
1300	3	430	1140	3	480	1140	3	480	without	5718 804	45 NR 11	49041359	○
2600	3	870	2730	3	910	2730	3	910	without	5718 804	60 NR 11	49041360	○
3600	3	1200	3870	3	1290	3870	3	1290	without	5718 804	70 NR 11	49041361	○

● Available from stock ○ On request: Tool is available, delivery at short notice

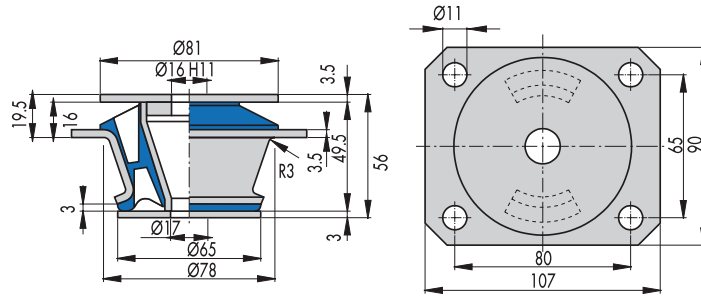


Fig. 23 Conical Mount 057 18 805

Nominal maxima		Stiffness	Nominal maxima		Stiffness	Nominal maxima		Stiffness	Window	Product No.	Material	Article No.	
Axial			Radial			Radial							
F _z max	s _z max	c _z	F _x max	s _x max	c _x	F _y max	s _y max	c _y					
[N]	[mm]	[N/mm]	[N]	[mm]	[N/mm]	[N]	[mm]	[N/mm]					
800	3	270	870	3	290	8700	3	290	with	5718 805	45 NR 11	49041362	○
1500	3	500	1650	3	550	1650	3	550	with	5718 805	60 NR 11	49041363	○
2000	3	670	2895	3	965	2895	3	965	with	5718 805	70 NR 11	49041364	○

● Available from stock ○ On request: Tool is available, delivery at short notice

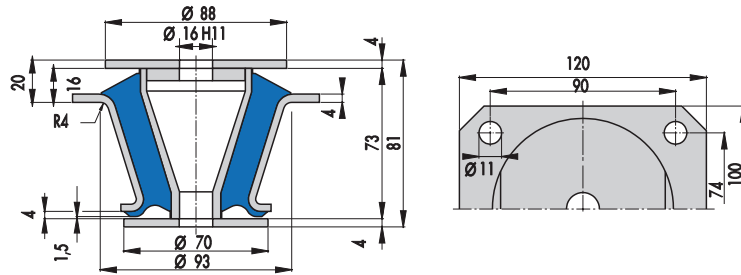


Fig. 24 Conical Mount 057 18 806

Nominal maxima		Stiffness	Nominal maxima		Stiffness	Nominal maxima		Stiffness	Window	Product No.	Material	Article No.	
Axial			Radial			Radial							
F _z max	s _z max	c _z	F _x max	s _x max	c _x	F _y max	s _y max	c _y					
[N]	[mm]	[N/mm]	[N]	[mm]	[N/mm]	[N]	[mm]	[N/mm]					
2000	2	1000	2530	2	1265	2530	2	1265	without	5718 806	45 NR 11	49041365	○
3800	2	1900	4290	2	2145	4290	2	2145	without	5718 806	60 NR 11	49041366	○
5800	2	2900	7560	2	3780	7560	2	3780	without	5718 806	70 NR 11	49041367	○

● Available from stock ○ On request: Tool is available, delivery at short notice

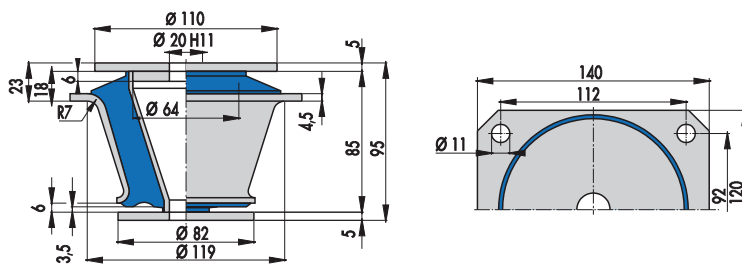


Fig. 25 Conical Mount 057 18 807

Nominal maxima			Stiffness			Nominal maxima			Stiffness			Window	Product No.	Material	Article No.	
Axial			Radial			Radial										
F_z max	s_z max	c_z	F_x max	s_x max	c_x	F_y max	s_y max	c_y								
[N]	[mm]	[N/mm]	[N]	[mm]	[N/mm]	[N]	[mm]	[N/mm]								
6000	5	1200	7150	5	1430	71550	5	1430	without	5718 807	45 NR 11	49041368	○			
11500	5	2300	12350	5	2470	12350	5	2470	without	5718 807	60 NR 11	49041369	○			
17500	5	3500	20250	5	4050	20250	5	4050	without	5718 807	70 NR 11	49041370	○			

● Available from stock ○ On request: Tool is available, delivery at short notice

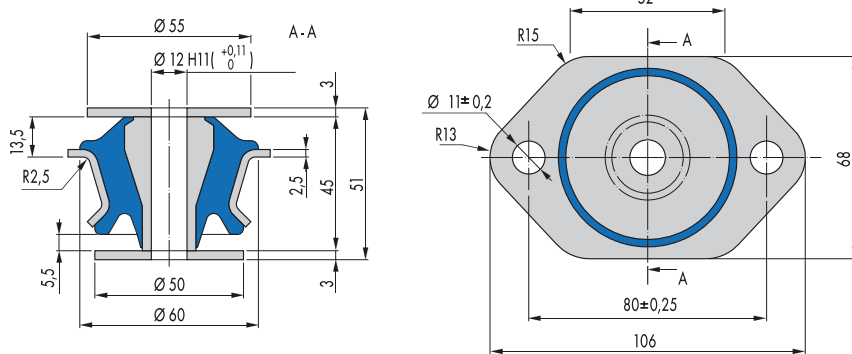
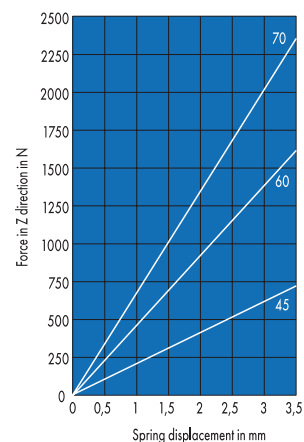


Fig. 26 Conical Mount 057 18 816



Nominal maxima			Stiffness			Nominal maxima			Stiffness			Window	Product No.	Material	Article No.	
Axial			Radial			Radial										
F_z max	s_z max	c_z	F_x max	s_x max	c_x	F_y max	s_y max	c_y								
[N]	[mm]	[N/mm]	[N]	[mm]	[N/mm]	[N]	[mm]	[N/mm]								
630	3	210	-	-	-	-	-	-	without	5718 816	45 NR 11	49047034	○			
1350	3	450	-	-	-	-	-	-	without	5718 816	60 NR 11	49047035	○			
2000	3	670	-	-	-	-	-	-	without	5718 816	70 NR 11	49047036	○			

● Available from stock ○ On request: Tool is available, delivery at short notice

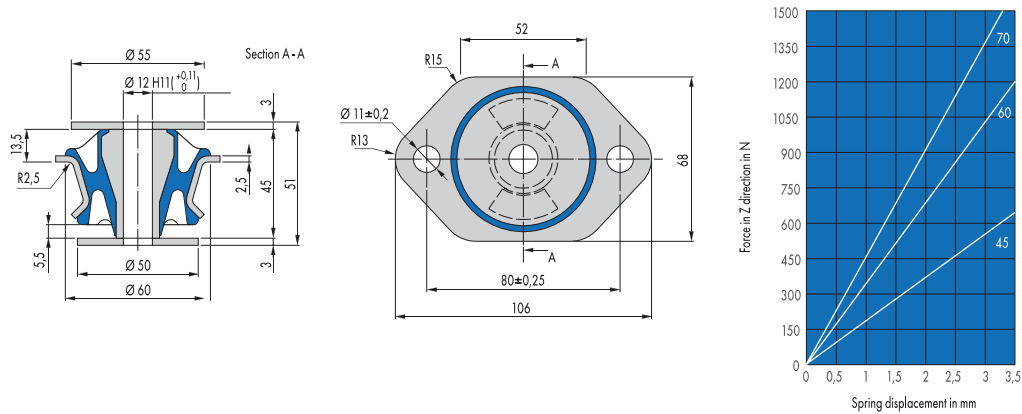


Fig. 27 Conical Mount 057 18 817

Nominal maxima		Stiffness	Nominal maxima		Stiffness	Nominal maxima		Stiffness	Window	Product No.	Material	Article No.	
Axial			Radial			Radial							
F_z max	s_z max	c_z	F_x max	s_x max	c_x	F_y max	s_y max	c_y					
[N]	[mm]	[N/mm]	[N]	[mm]	[N/mm]	[N]	[mm]	[N/mm]					
550	3	180	-	-	-	-	-	-	with	5718 817	45 NR	49047037	○
1000	3	330	-	-	-	-	-	-	with	5718 817	60 NR	49047038	○
1350	3	450	-	-	-	-	-	-	with	5718 817	70 NR	49047039	○

● Available from stock ○ On request: Tool is available, delivery at short notice

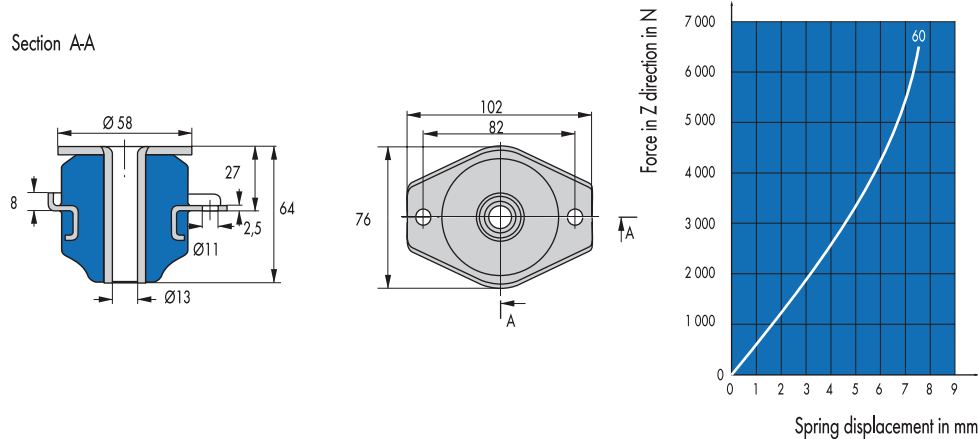


Fig. 28 Conical Mount 058 18 001

Nominal maxima		Stiffness	Nominal maxima		Stiffness	Nominal maxima		Stiffness	Window	Product No.	Material	Article No.	
Axial			Radial			Radial							
F_z max	s_z max	c_z	F_x max	s_x max	c_x	F_y max	s_y max	c_y					
[N]	[mm]	[N/mm]	[N]	[mm]	[N/mm]	[N]	[mm]	[N/mm]					
3000	7	300	200	1	200	200	1	200	without	5818 001	45 NR 11	91928	●
5500	7	620	330	1	330	330	1	330	without	5818 001	60 NR 11	90827	●
8200	7	900	500	1	500	500	1	500	without	5818 001	70 NR 11	92539	●

● Available from stock ○ On request: Tool is available, delivery at short notice